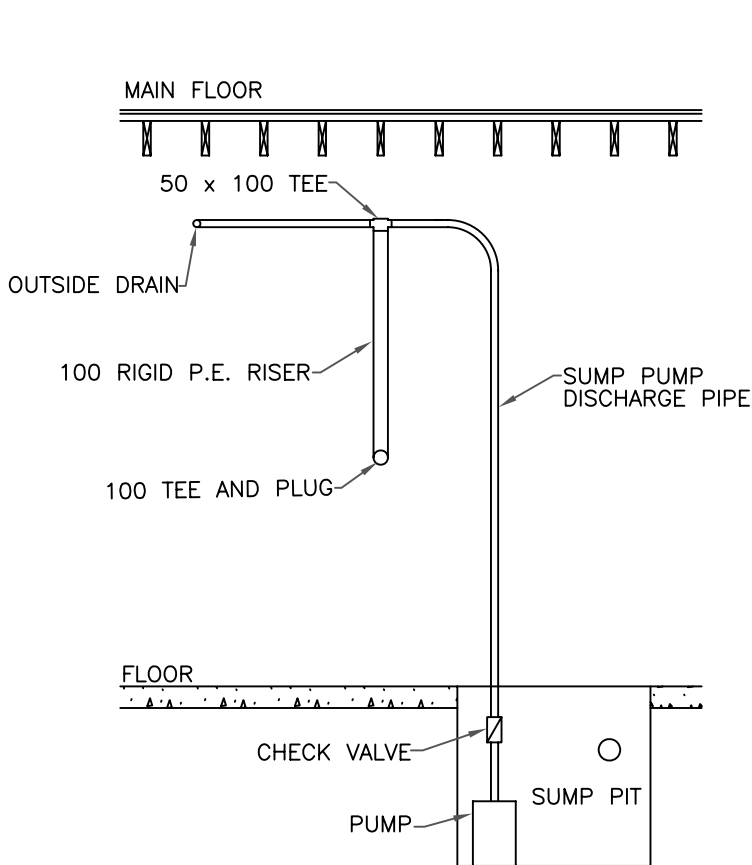
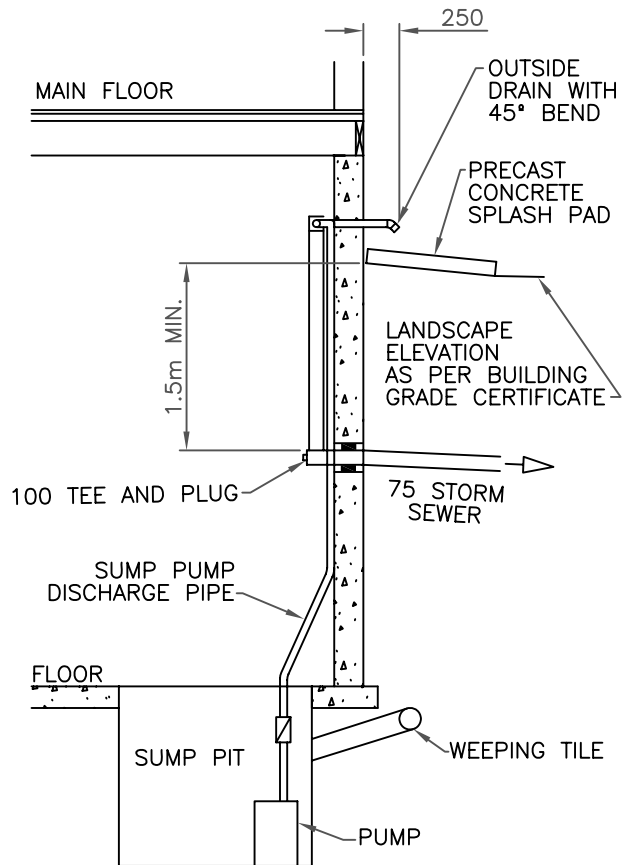


TOP VIEW



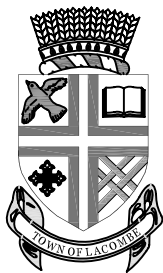
FRONT VIEW



SIDE VIEW

File Name: 3-04-SHALLOW STORM SERVICE LOCATION.dwg

Rev. By: -	Rev. Date: -
No.	Revision



TOWN OF LACOMBE

DESIGN GUIDELINE DRAWINGS
Service Connections

SHALLOW STORM
SERVICE LOCATION

DRAWING NO.

3-04

REVISION NO. 0